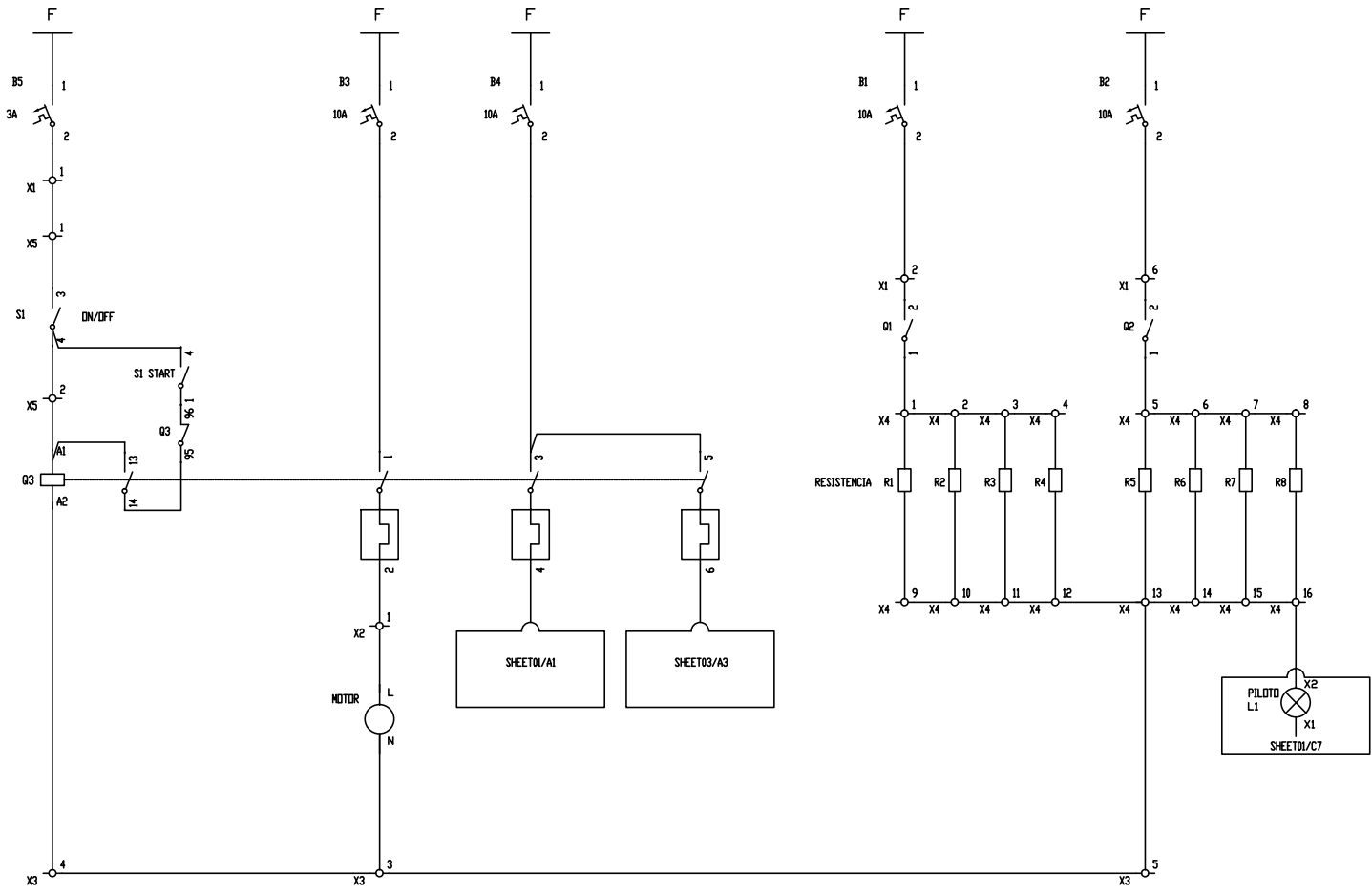


Sheet 02
 Drawn by FERLEY HOYOS MURDZ
 Design checked by JUAN FERNANDO
 Rev ind Date 11/02/2010

We reserve all rights in this document and in the information contained therein. Reproduction, use or disclosure to third parties without express authority is strictly forbidden.



Contractor:		UNIVERSIDAD DEL CAUCA		Title	Planta	Doc. des		Design	
				DIAGRAMA DE POTENCIA	PILOTO MOLDED COMPRESIÓN			VICTOR VALLEJO	
				Project name	Resp. dept. AUTOMÁTICA INDUSTRIAL	Rev. ind. 3.0	Lang. es	Draw by: FERLEY HOYOS MURDZ	
				TRABAJO DE GRADO	Doc. No.		Sheet 02	Review: JUAN FERNANDO FLOREZ	
							Cont. 04		